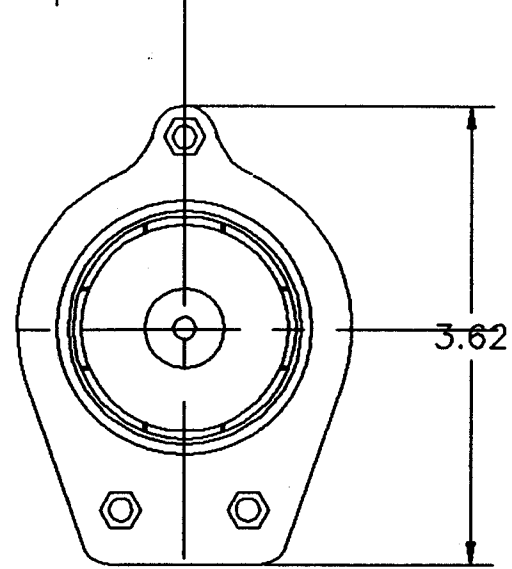


REVISIONS				
ZONE	REV	DESCRIPTION	DATE	APPROVED
	A	CONFIGURATION CHANGE	04/01/97	RCF



NOTE:
MATING RECEPTACLE P/N 11674728

28 VDC PLUG, ELECT 15 AMP	THE GATEWAY CABLE CO			
	372 N. MEYER ROAD BENSENVILLE IL 60106			
DATE: 04/01/97	SIZE B	PCRM NO 61090	QMC NO TGC2460	REV A
DRAWN BY: RCF	SCALE N/A			SHEET 1